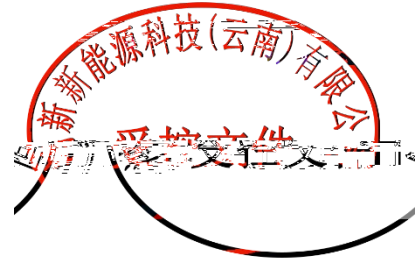


()

Hongxin New Energy Technology (Yunnan) Co., LTD

**DEPARTME
TNAME**

**COUNTER
SIGNER**



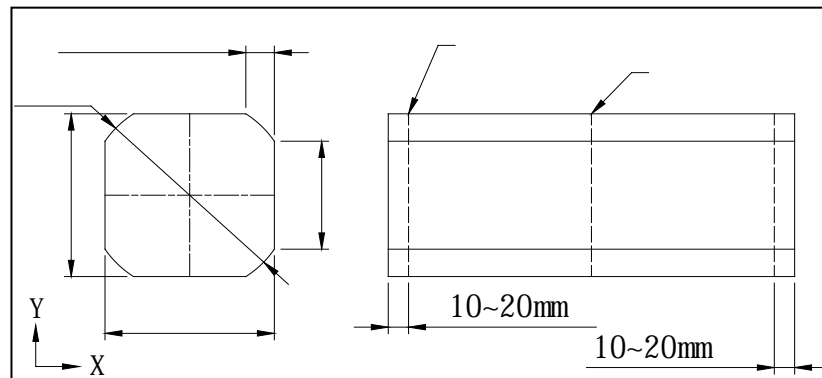
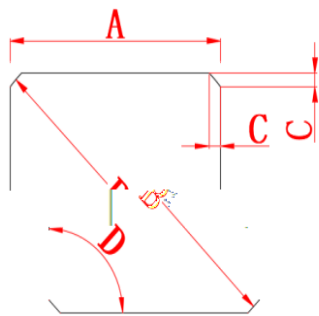
4.1

4.2

4.3

5.1

mm



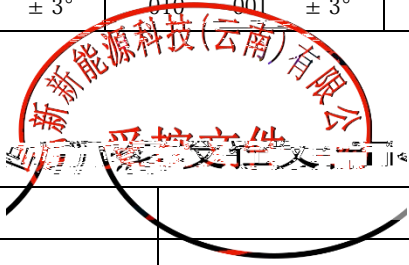
	M6	M10	M10+	G12	G12+
mm	166± 0.25	182± 0.25	A: 182.1± 0.15 B: 185± 0.15	210± 0.25	A: 210.1± 0.15 B: 211.6± 0.15
B mm	223± 0.25	247± 0.25	258.17± 0.15	295± 0.25	296.19± 0.15
C mm	8.55± 0.5	7.51± 0.5	1± 0.45	1.41± 0.45	1.41± 0.45
D	90° ± 0.2°				
	0.5mm				
(mm)	820mm~840mm 60% 160 840mm 300mm ¼ ; 0.5mm				

		Hongxin New Energy Technology (Yunnan) Co., LTD
		5 7

5.3

	P	P B	N	N B
	CZ	CZ	CZ	CZ
	P	P	N	N
	P /	P /	N /	N /
	0.4-1.1 .cm	0.2-0.4 .cm 1.1-1.5 .cm	0.3-2.1 .cm	0.3-2.1 .cm
	100us	20us	800us	500us
LT/Res	-	-	2000	1000
	0.5×10^{17} atoms/cm ³	2.5×10^{17} atoms/cm ³	0.5×10^{17} atoms/cm ³	-
	7.5×10^{17} atoms/cm ³	9.0×10^{17} atoms/cm ³	6.5×10^{17} atoms/cm ³	9.0×10^{17} atoms/cm ³
/cm ²	500	500	500	500
	100 ± 3°	100 ± 3°	100 ± 3°	100 ± 3°
	010 001 ± 3°	010 001 ± 3°	010 001 ± 3°	010 001 ± 3°

5.4



1		
2		

5.5

5.5.1

5.5.2

5.5.3

5.5.4

		Hongxin New Energy Technology (Yunnan) Co., LTD
		6 7

5.5.5

5.6

“ ”

5.7

5.7.1

10 30

60%

5.7.2

6

1	Pb		0.1% 1000ppm	
2	Hg		0.1% 1000ppm	
3	Cd		0.01% 100ppm	
4	Cr()		0.1% 1000ppm	

”																		“ x ”												
										/mm			/mm			/mm														
										m a x		m i n		m a x		m i n		m a x		m i n										